

250

250 mL Blood Bag System
CPDA-1 Anticoagulant

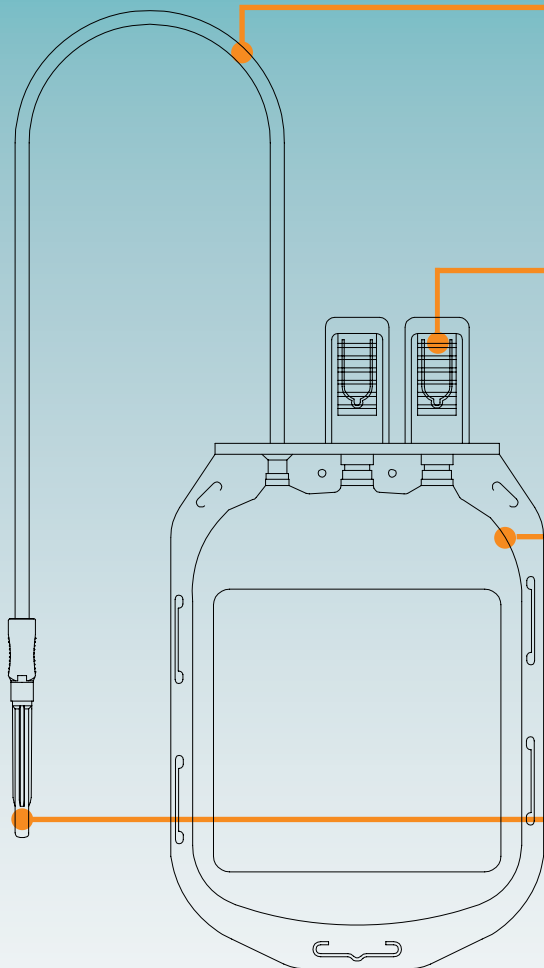


TERUFLEX® 250mL Blood Bag System with 16 Gauge Needle

- **For whole blood collection:**
From pediatric, elderly or small autologous donors who may not tolerate larger blood collections
As directed by a patient's physician
- **Red cell storage up to 35 days**
- **Tamper Evident Needle Protector**
The black lines of the needle protector and hub are conveniently aligned to:
Show evidence of a broken seal
Indicate bevel up position

TERUFLEX® blood bags and accessories contain no latex components

Flexibility and Performance



- **Thick Wall Tubing**

Reduces kinks which facilitates smooth blood flow



- **Outlet Port Peel Tab**

Easy to open
Visual assurance of seal integrity



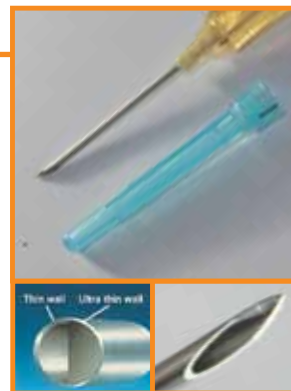
- **Bag Design**

Tall narrow design enhances blood component separation
Rounded corners facilitate mixing of blood and anticoagulant



- **Sharp, Dependable Needle**

Double Bevel Design
Ultra-thin Wall Needle



TERUMO MEDICAL CORPORATION

2101 Cottontail Lane Somerset,
New Jersey 08873
Tel: 800.283.7866

Ordering Information:

Product Code: 1BB*SCD256A

Quantity: 90 blood bags/case

Shelf Life: 30 months

Contains no latex components